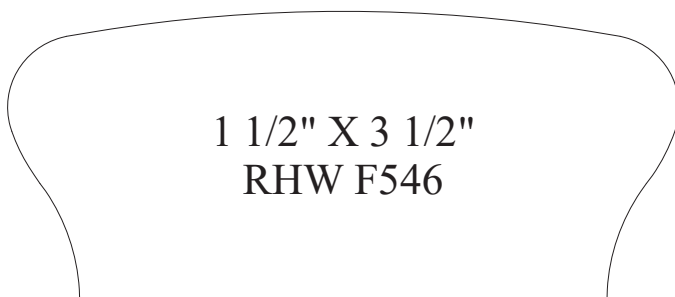
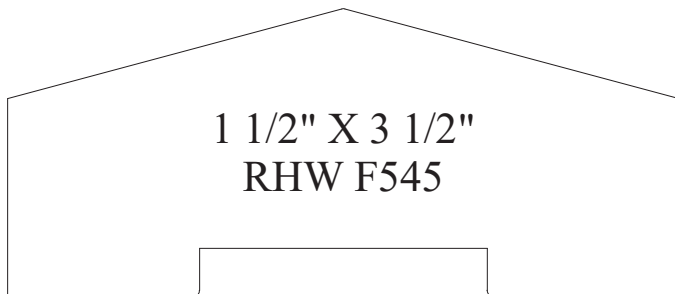
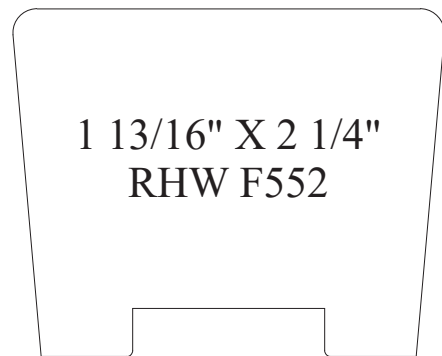
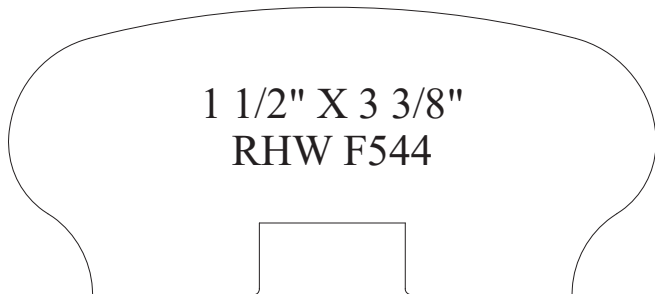
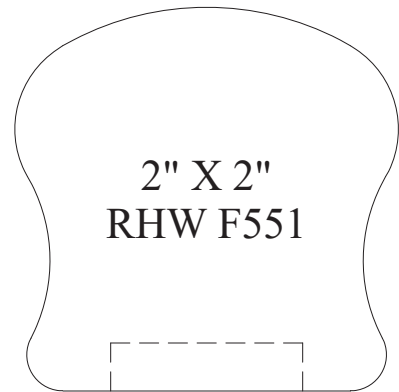
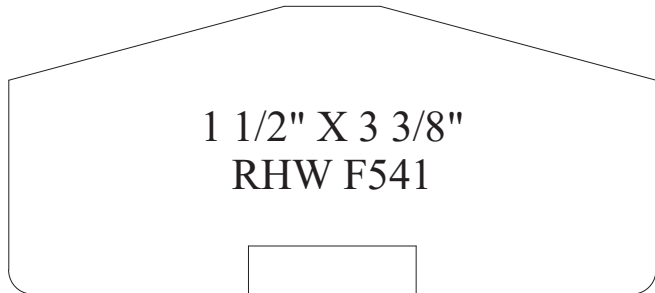
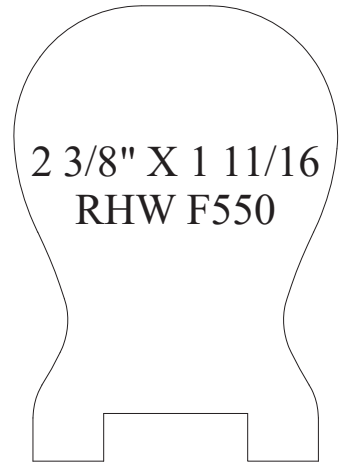
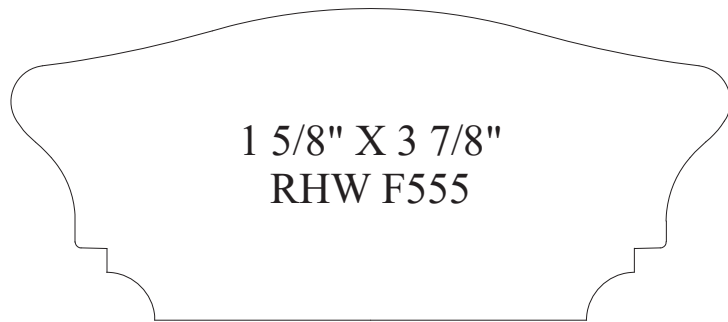
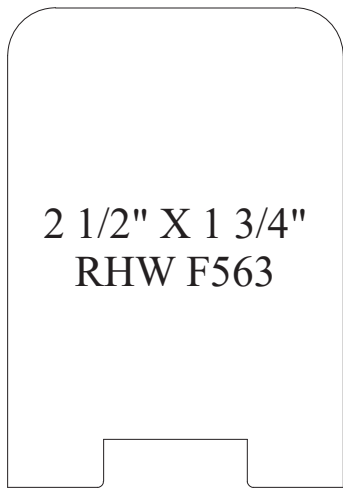
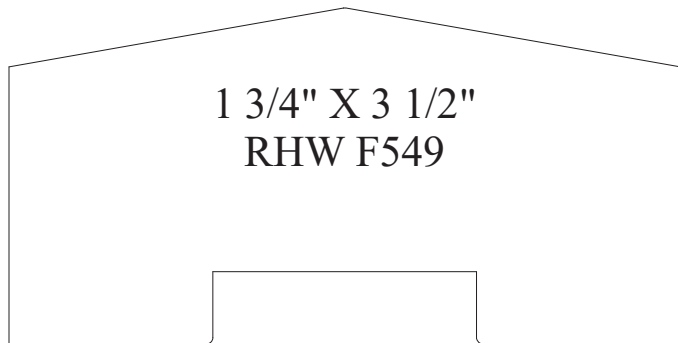
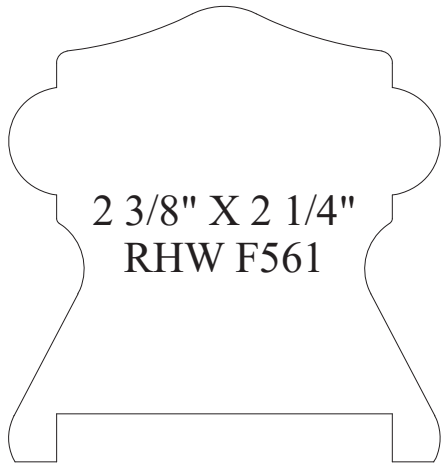
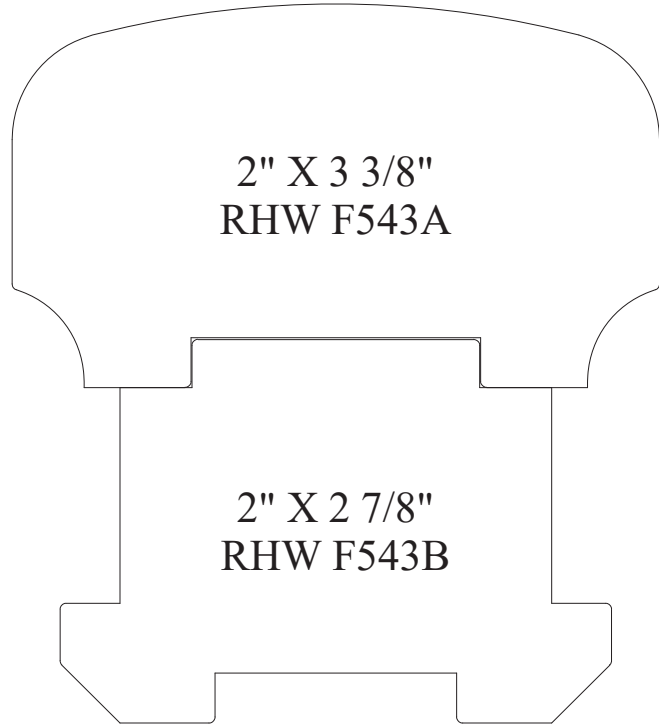
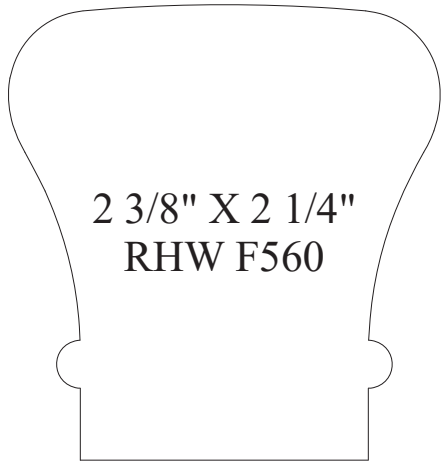


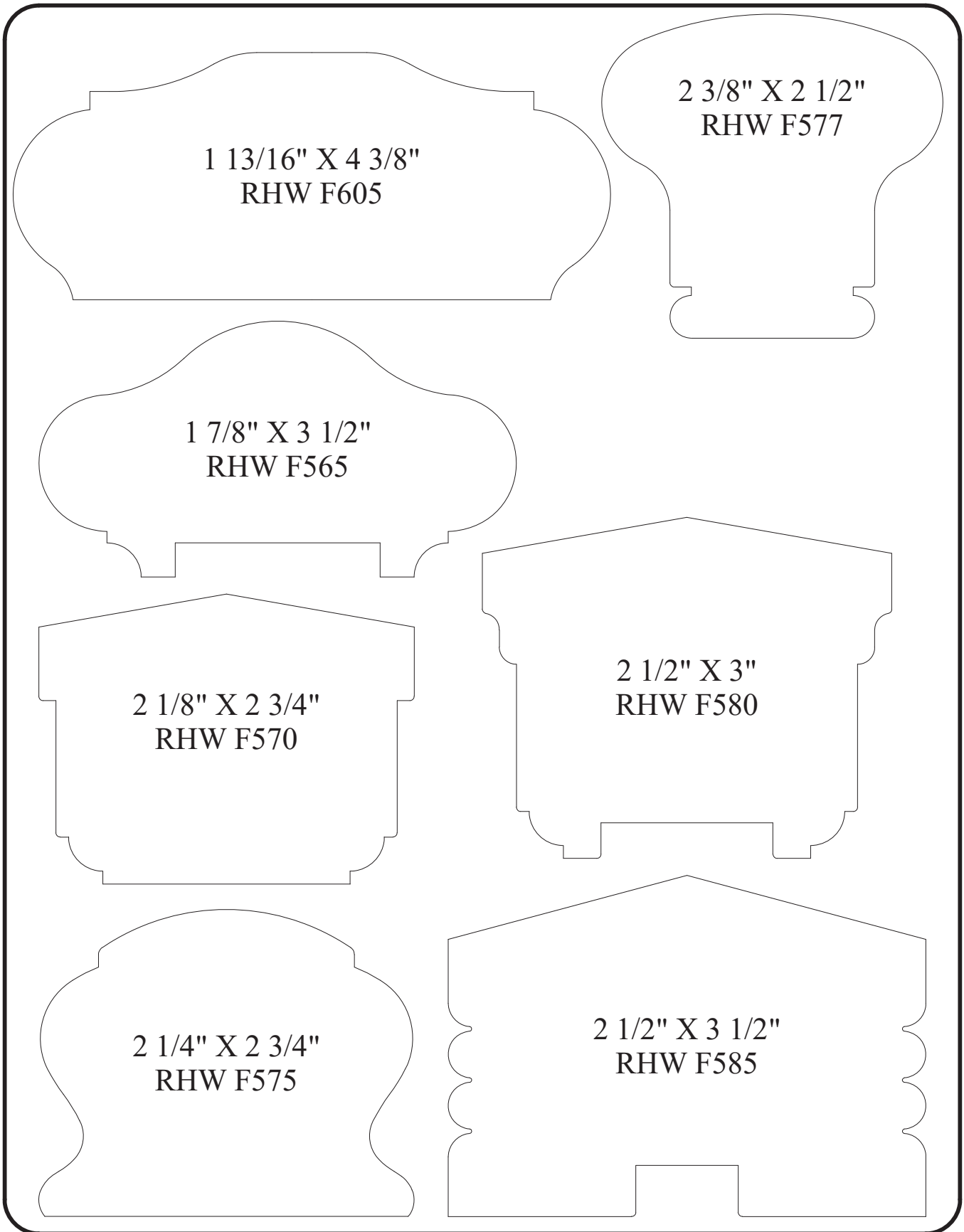
HAND RAILS



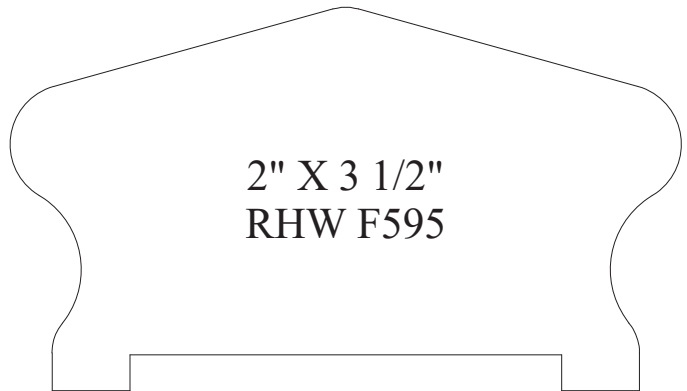
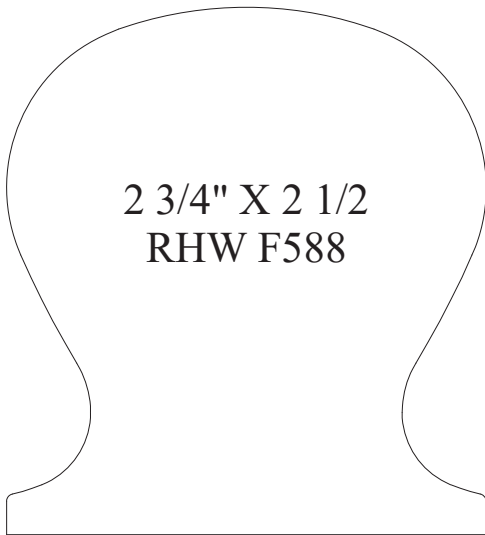
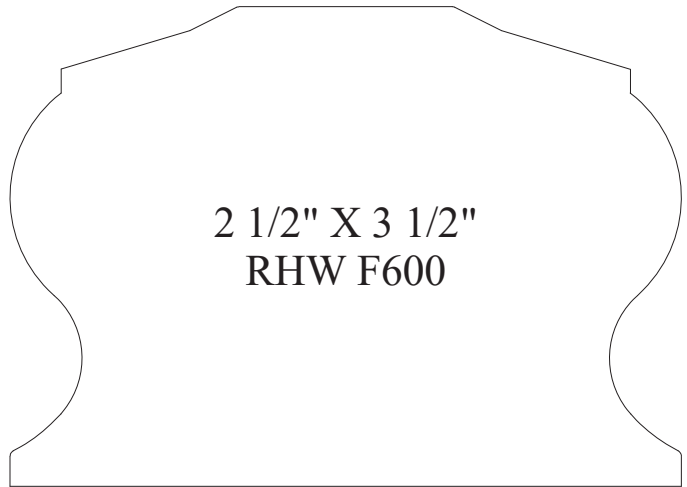
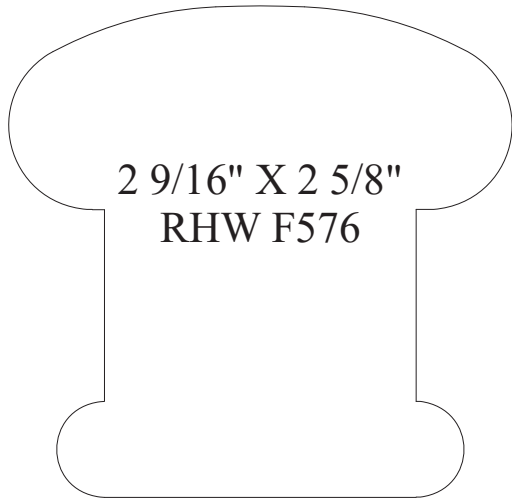
HAND RAILS



HAND RAILS



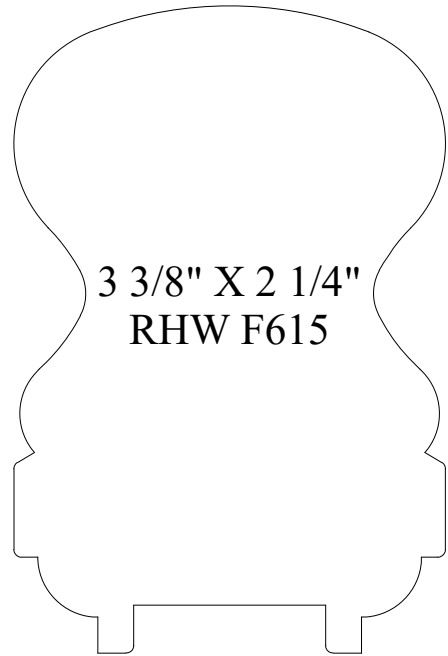
HAND RAILS



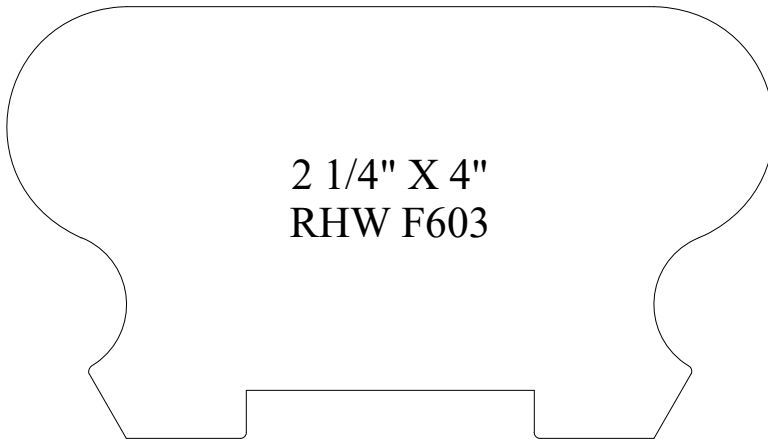
HAND RAILS



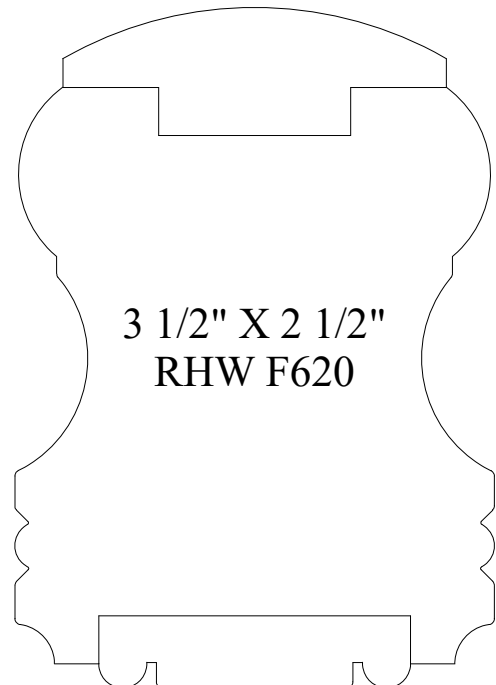
2 5/8" X 3 5/8"
RHW F602



3 3/8" X 2 1/4"
RHW F615

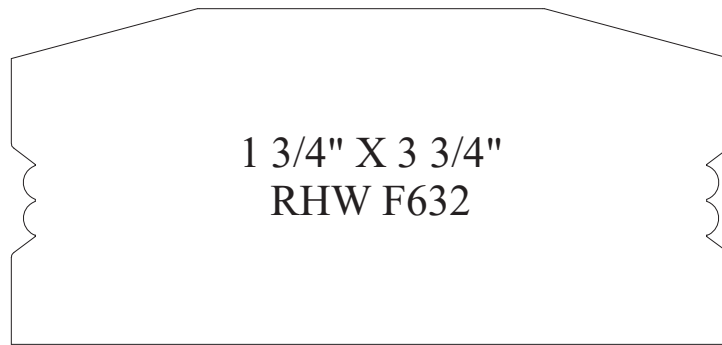
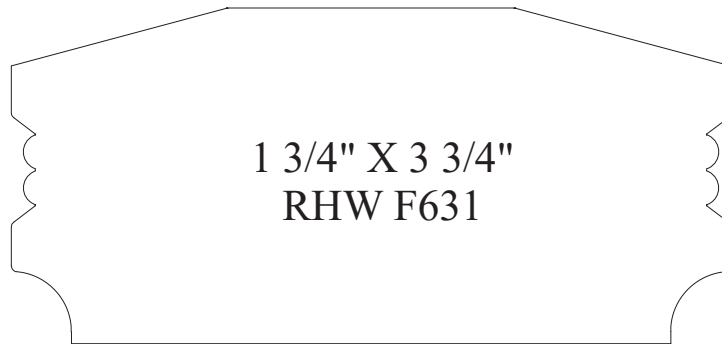
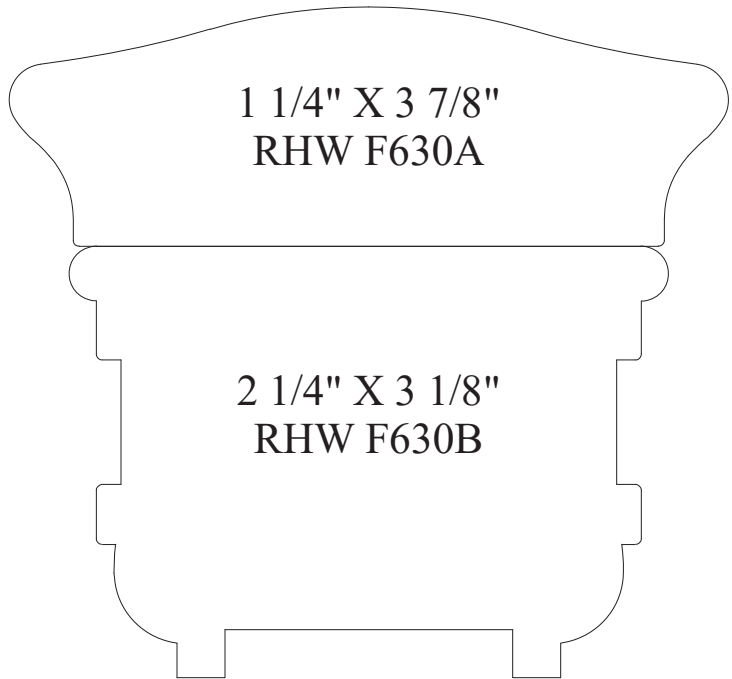
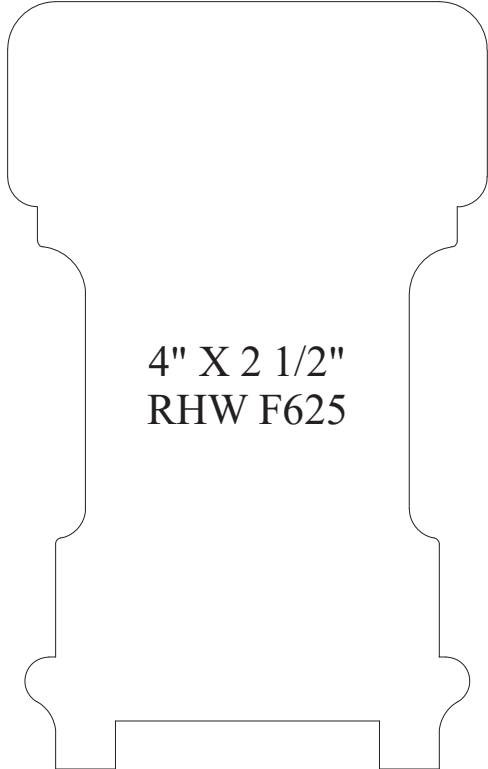


2 1/4" X 4"
RHW F603

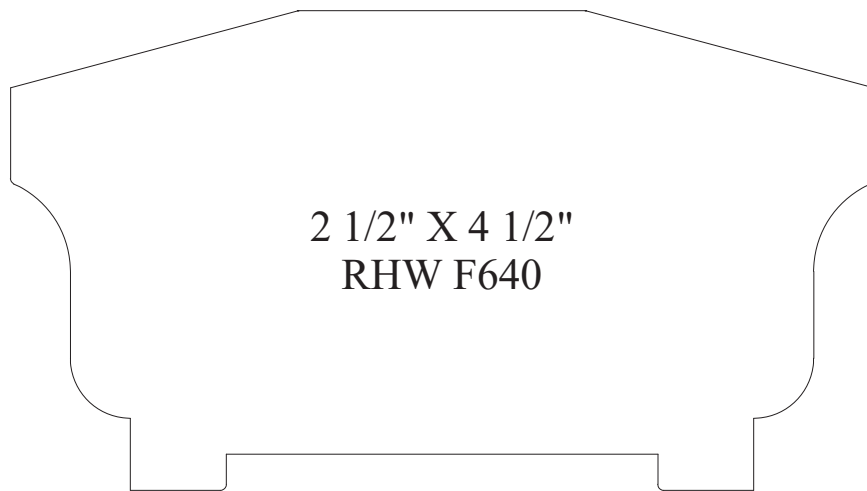
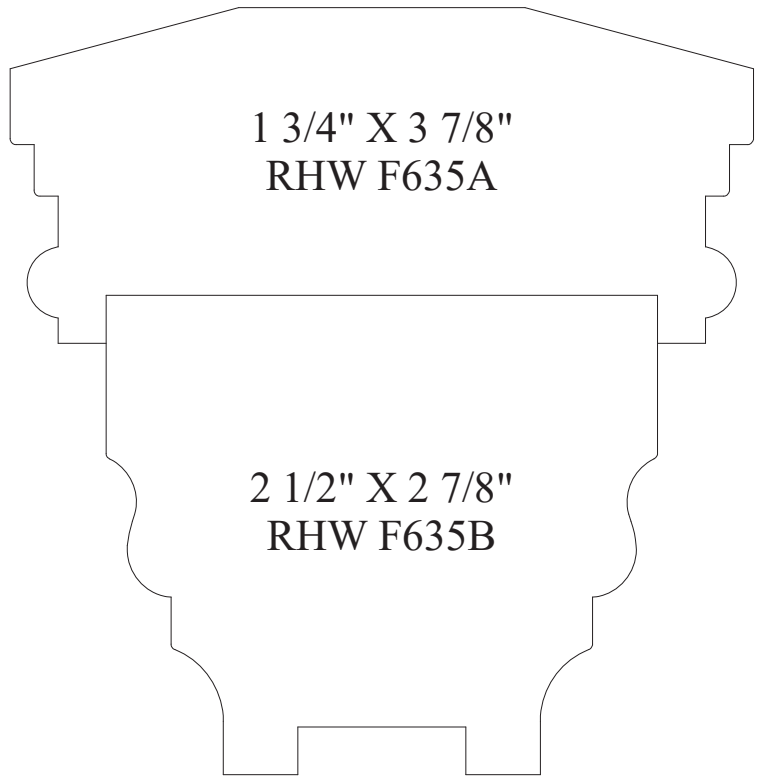


3 1/2" X 2 1/2"
RHW F620

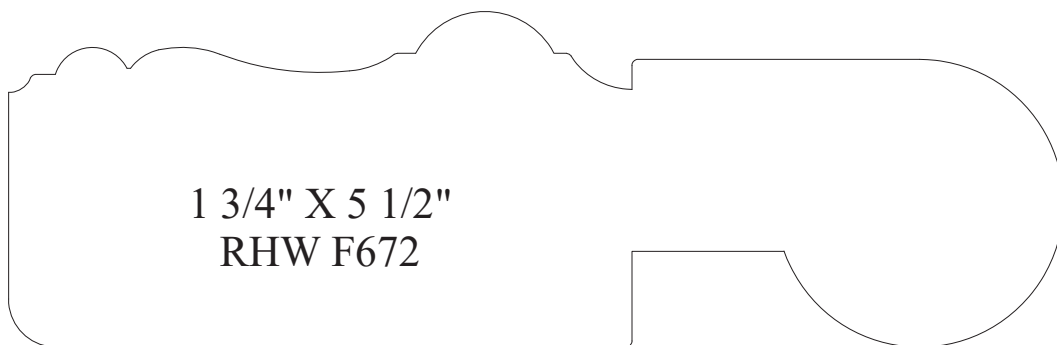
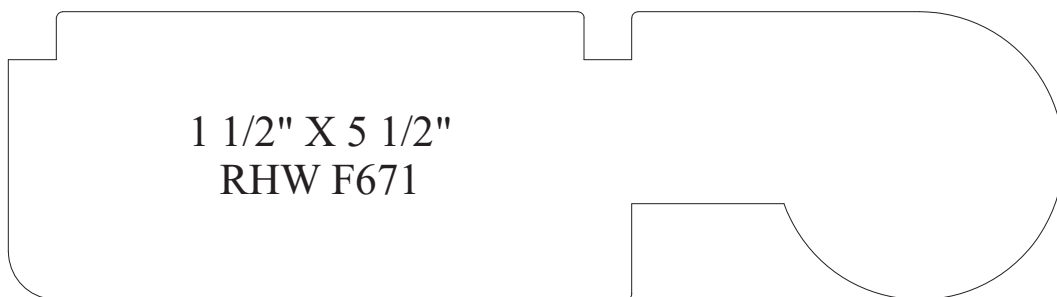
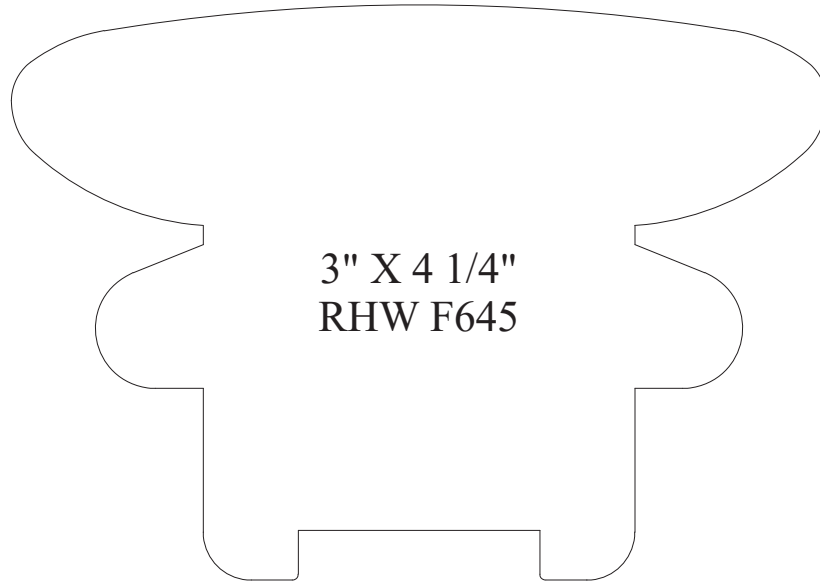
HAND RAILS



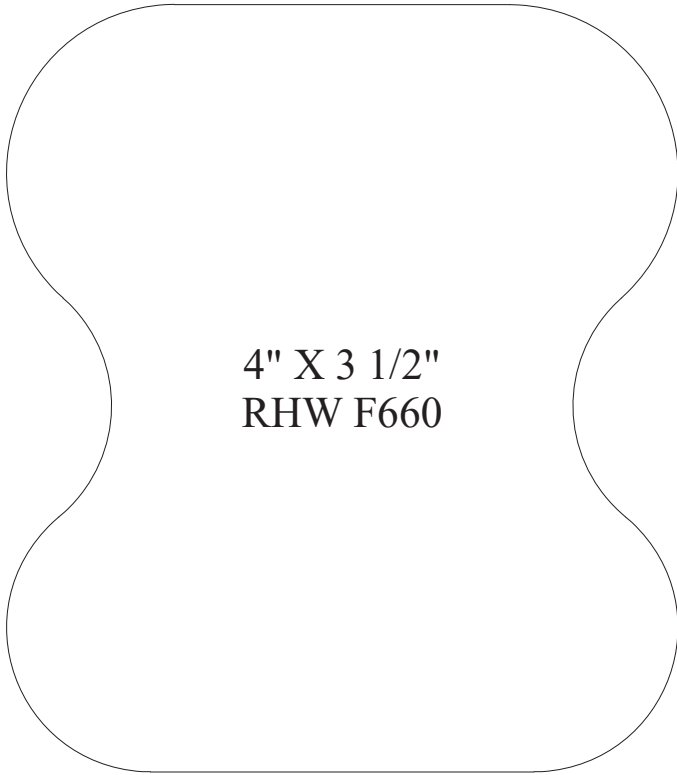
HAND RAILS



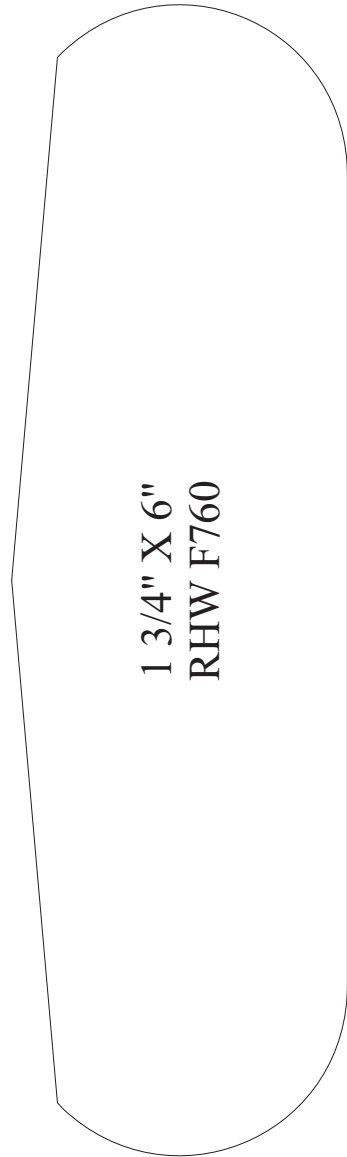
HAND RAILS



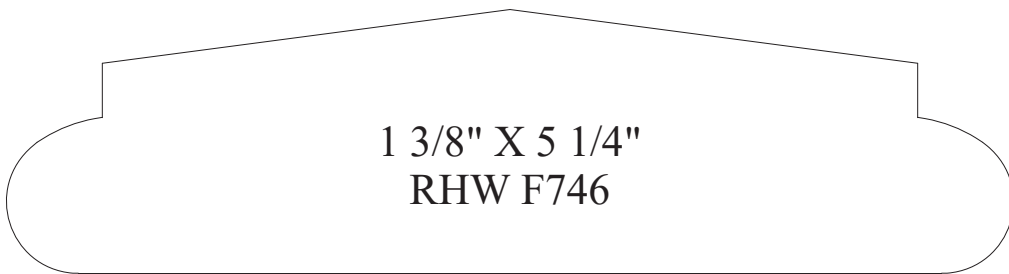
HAND RAILS



4" X 3 1/2"
RHW F660



1 3/4" X 6"
RHW F760



1 3/8" X 5 1/4"
RHW F746

HAND RAILS



1 3/8" X 4" - 5 1/2"
5 DEGREE
RHW F740

A hand rail profile diagram showing a rectangular cross-section with a 5-degree chamfer on the top edge. The dimensions are 1 3/8" wide and 4" high, with a total length of 5 1/2".



1 3/8" X 4" - 5 1/2"
7 1/2 DEGREE
RHW F745

A hand rail profile diagram showing a rectangular cross-section with a 7 1/2-degree chamfer on the top edge. The dimensions are 1 3/8" wide and 4" high, with a total length of 5 1/2".



1 3/8" X 4" - 5 1/2"
10 DEGREE
RHW F750

A hand rail profile diagram showing a rectangular cross-section with a 10-degree chamfer on the top edge. The dimensions are 1 3/8" wide and 4" high, with a total length of 5 1/2".



1 3/4" X 7 3/4"
RHW F775

A hand rail profile diagram showing a rectangular cross-section with a decorative, curved top edge. The dimensions are 1 3/4" wide and 7 3/4" high.